

417移门滑轮

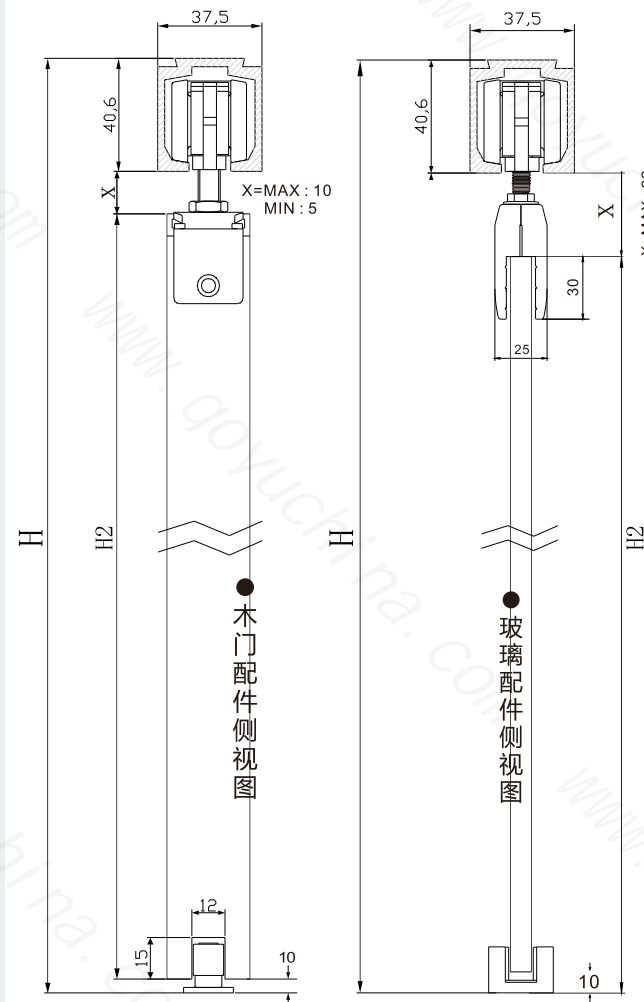
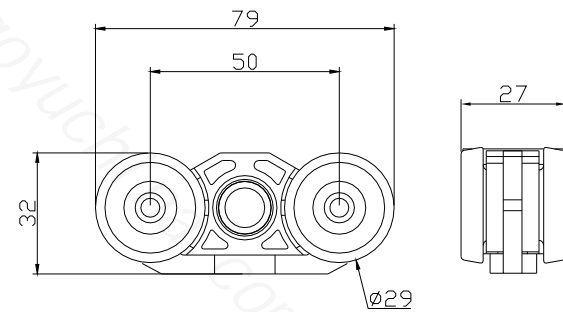
417 Sliding roller

功能特性 Features

- 适用于单扇或多扇平移门
Suitable for single or multiple sliding doors
- 适用于家庭、酒店、写字楼等场所使用的平移门
Suitable for sliding doors for families, hotels, office buildings, etc.
- 平衡轮设计原理
Balance wheel design principle
- 手动推拉、两边定位、高低调节
Manual push and pull positioning on both sides to achieve balance
- 安装方便、运行顺畅、使用寿命长
Easy installation, smooth operation, long service life

材质及表面处理 Materials and finishes

- 导轨：铝合金，阳极氧化
Sliding track: Aluminum, Anodized
- 吊轮：锌合金，砂镍，珍珠铬
Hanging roller: Zinc alloy, SN, PC
- 吊码：铝合金，阳极氧化
Bracket: Aluminum, anodized
- 插片：铁，锌
Insert: Iron, Zinc
- 玻璃夹：铝合金，阳极氧化喷砂
Glass clamp: Aluminum, Anodized blasting
- 普通玻璃夹：铜，光铬，砂镍
Glass clamp: Brass, CP, SN



※ 产品色彩以实物为准

标准配置 Standard configuration



配件产品 Accessories products



选配地导、导轨、装饰盖 Optional bottom guide, guide rail, decorative cover



产品参数 Product parameters

产品型号 Item NO.	A417 吊码 Bracket	417-4C 插片 Insert	417-4B 4B玻璃夹 Glass clamp	417-8B 8B玻璃夹 Glass clamp	417-60C 60C圆夹 Glass clamp
承重(KG) MAX Capacity	80	100	80	120	80
适用厚度(mm) Door thickness	≥25	≥30	6~12	6~12	8~12
门高公式(H2) Door height formula	H-40.6-X-10mm				

※ 产品色彩以实物为准