

# HL-041 木门隐藏门阻尼滑轮 Concealed Sliding System For Wooden Doors

## 功能特性 Features

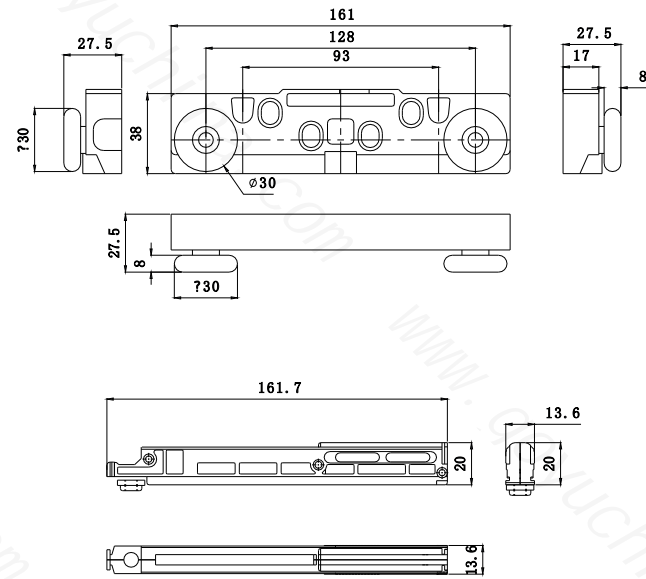
- 适用于单扇或多扇平移门  
Suitable for single or double sliding doors
- 适用于家庭、酒店、写字楼等场所使用的缓冲平移门  
Suitable for sliding doors for families, hotels, office buildings, etc.
- 受力均匀, 开关门双向缓冲  
Double soft closing system for sliding door balance running
- 手动推拉、两边定位、高低调节  
Manual push and pull positioning on both sides to achieve balance
- 安装方便、运行顺畅、使用寿命长  
Easy installation, smooth operation, long service life

## 材质及表面处理 Materials and finishes

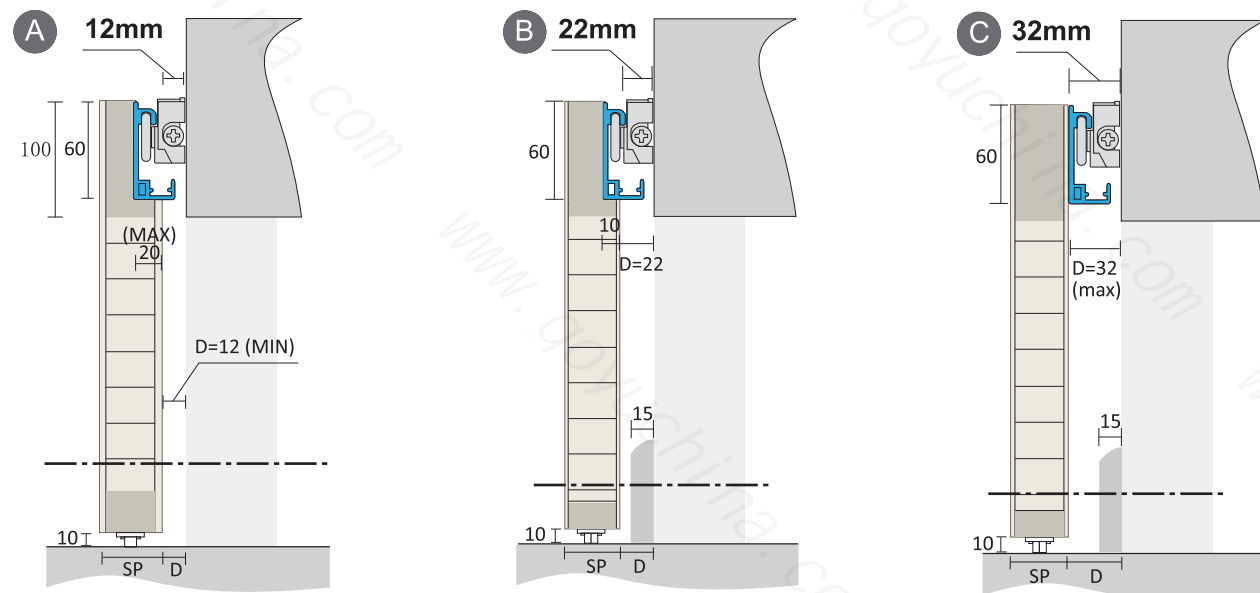
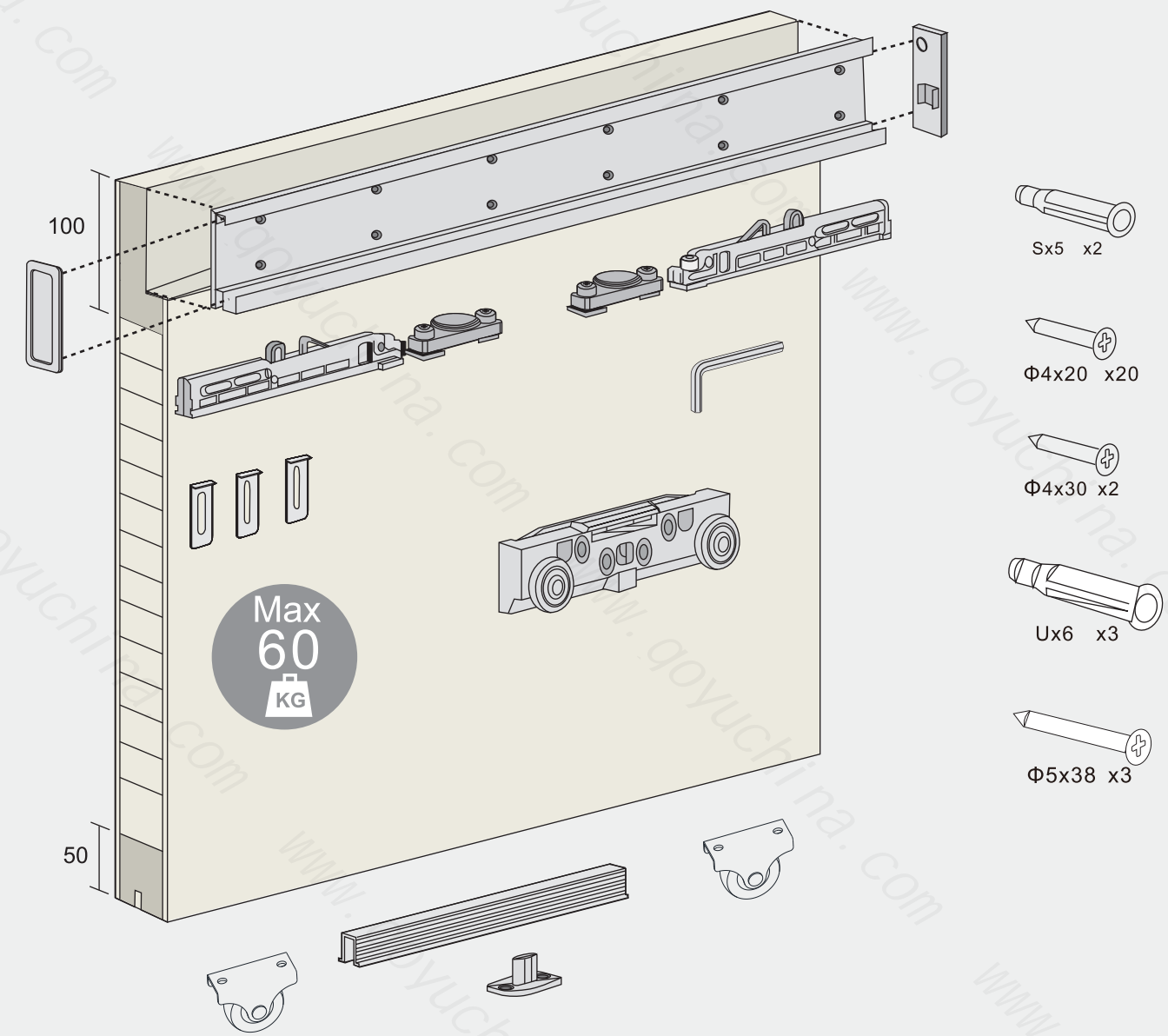
- 导轨: 铝合金, 阳极氧化  
Sliding track: Aluminum, Anodized
- 吊轮: 锌合金, 沙镍  
Hanging roller: Zinc alloy, SN

## 产品参数 Product parameters

门厚=min. 28mm~max. 45mm  
门宽=800-1200mm



## 标准配置 Standard configuration



## 门开槽尺寸图 Door slotting dimensions

